



RPE Srl
Leader in Fluid Management Control

100%
MADE IN ITALY

800D Series

**Solenoid valves for cleaning machines,
ice makers, water dispensers**

www.rpesrl.it



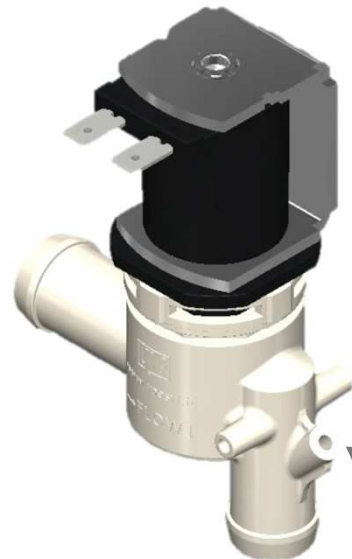
800 D SERIES

100%
MADE IN ITALY

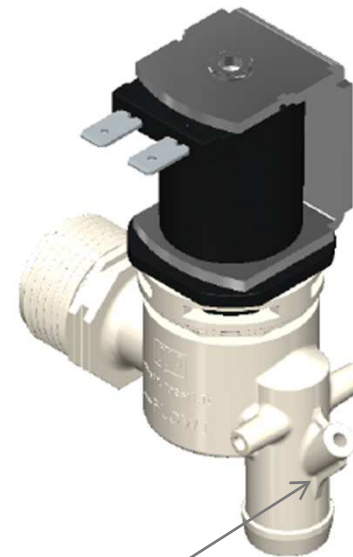
2

Available in :

800DV Series – PG18mm



800DV Series – 3/4



For each of the two versions it is also possible to have the attack of the VENT channel to allow a complete draining of the tank.



800 D SERIES

100%
MADE IN ITALY

3



WORKING SPECIFICATIONS

- Working pressure: 0 -0,15 bar
- Room temperature: 0 - 60°C
- Fluid temperature:0 - 90° C – ED 50%
- Flow direction: unidirectional
- Nominal diameter: Ø 12,75 mm
- Elet. Pilot/Control: Drain Valve

PHYSICAL SPECIFICATIONS

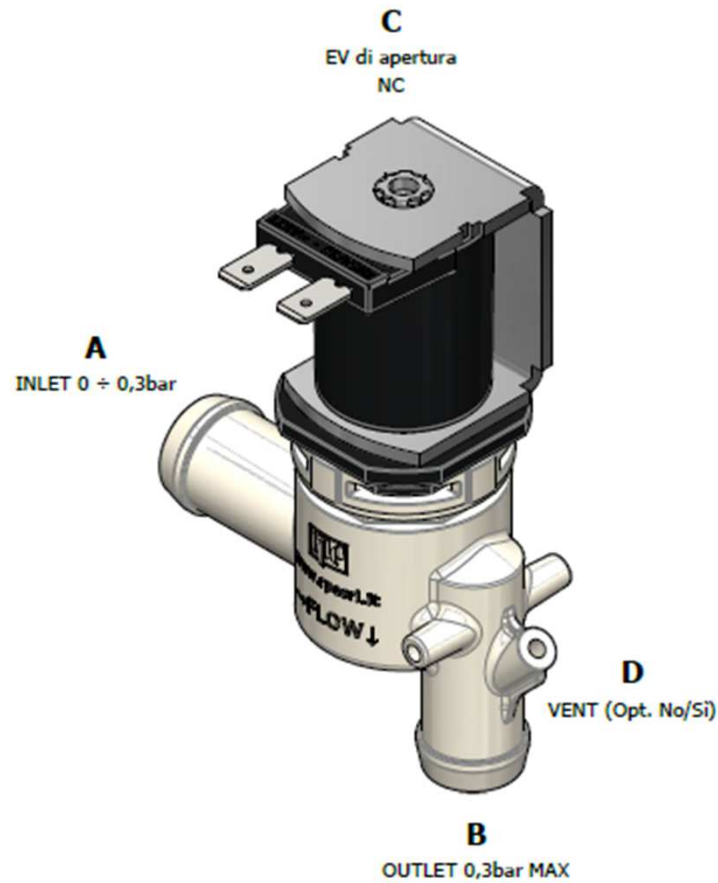
- Valve body: PA 66 FG 30
- Diaphragm: LSR
- Core: Stainless Steel
- Spring: Stainless Steel
- Assembly: Bayonet



800 D SERIES

100%
MADE IN ITALY

4



Hydraulic connections

IN:	PG 18mm G 3/4 BSPP
OUT:	PG 16mm PG 16mm + VENT for laminar flow



800 D SERIES

Plus del prodotto

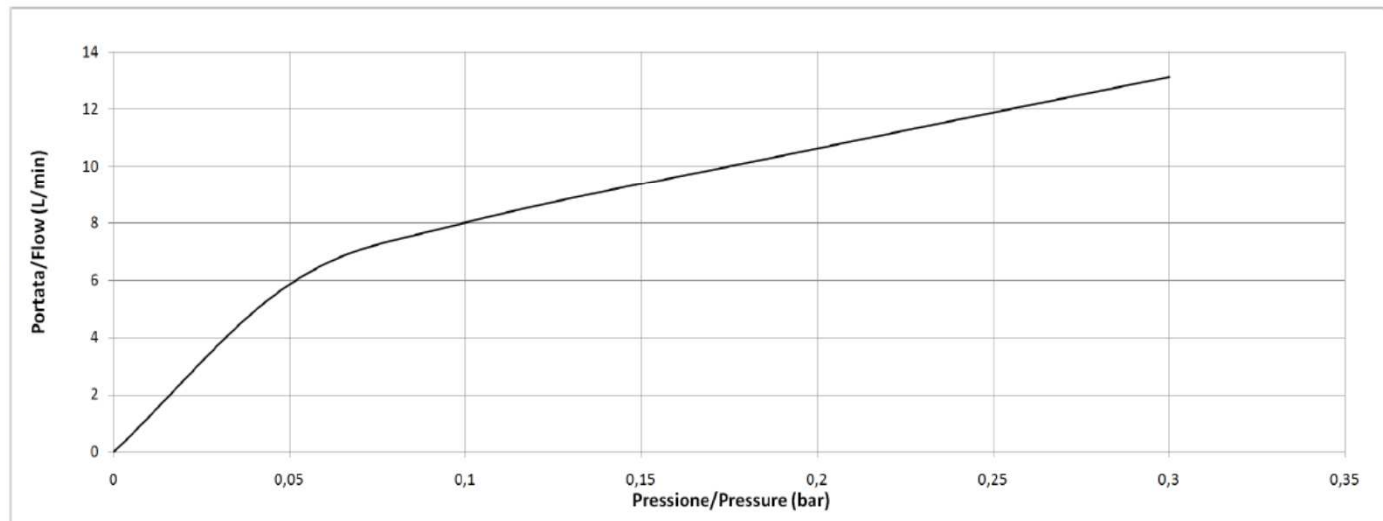
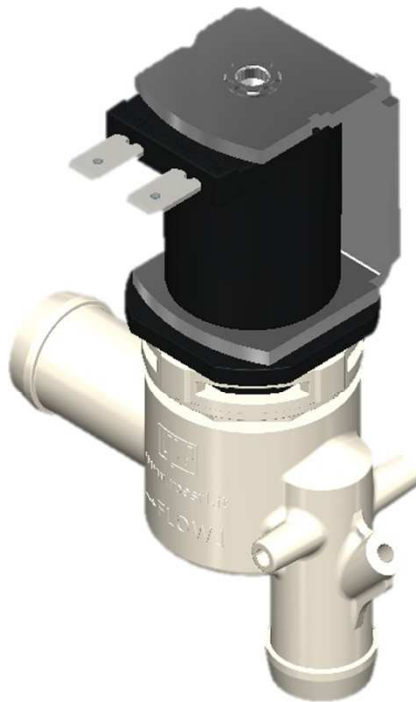
100%
MADE IN ITALY

5

Inspectable by the bayonet socket

Easy maintenance

Large flow DN 12,75

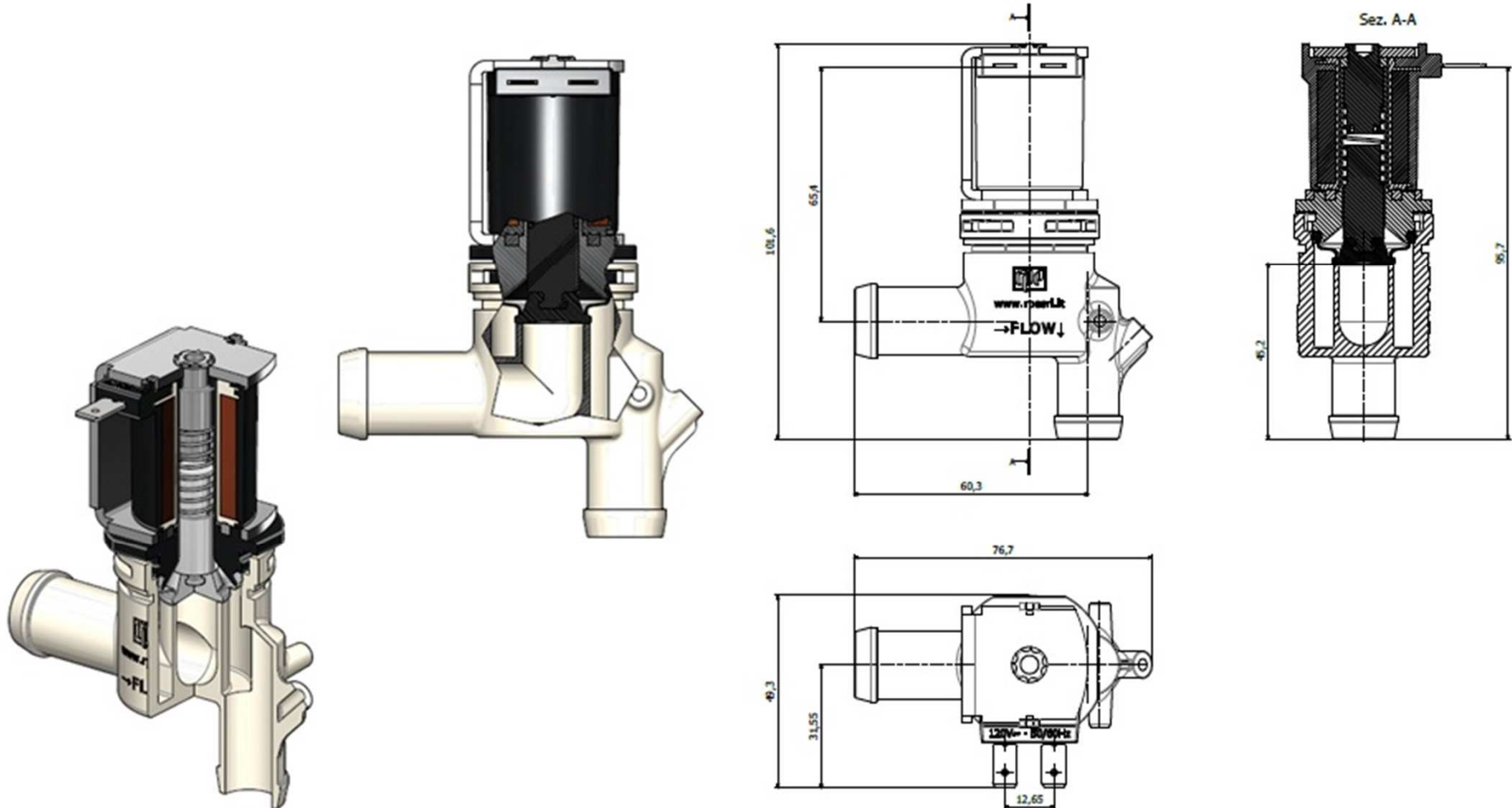




800 D SERIES

100%
MADE IN ITALY

6

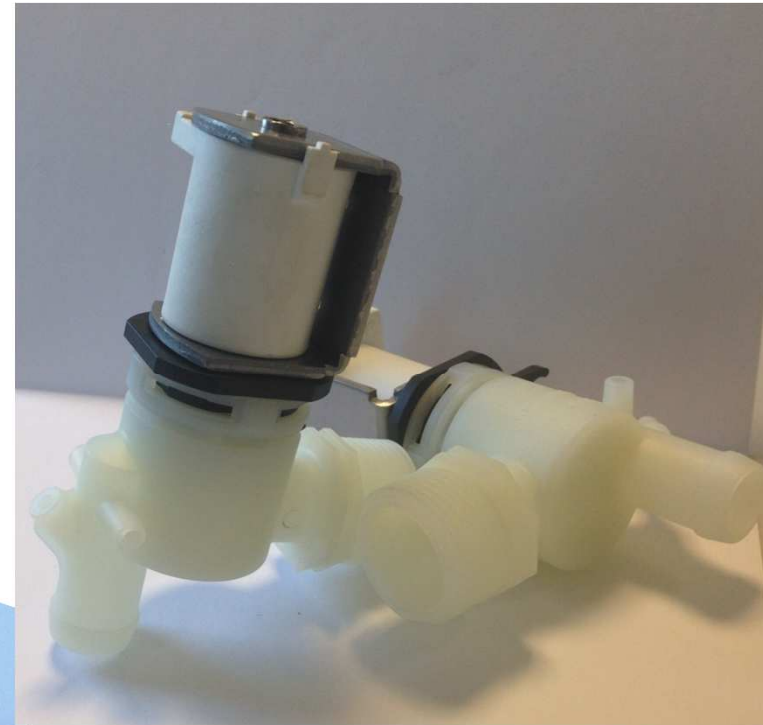
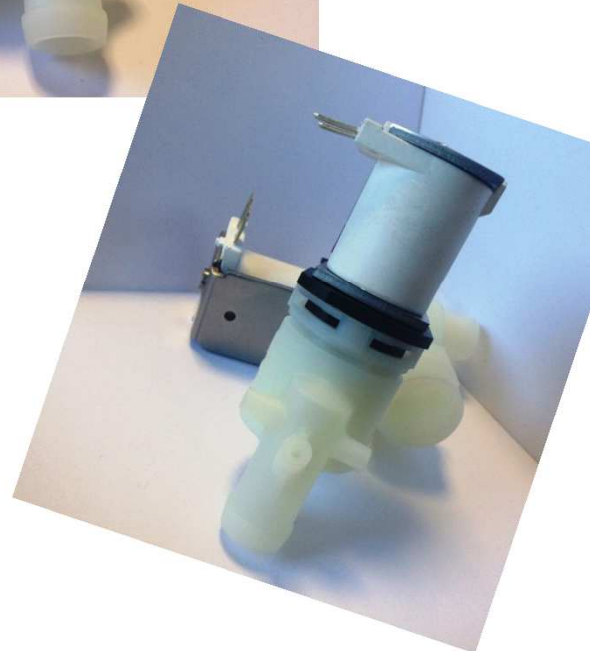




800 D SERIES

100%
MADE IN ITALY

7





Market

100%
MADE IN ITALY

8





NOTHING GREAT HAS EVER BEEN DONE WITHOUT PASSION

9

Thanks for your attention



www.rpesrl.it